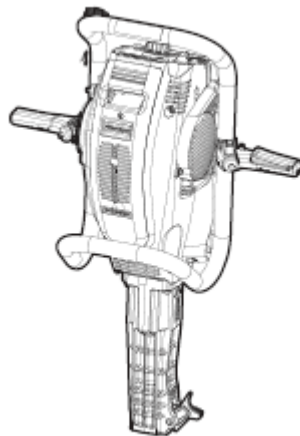


# COBRA TT

---

## Spare Parts List Petrol Breakers

COBRA TT



# General information

This spare parts list applies to the following:

Part number	Description
8318070033	Cobra TT CN 32 x 160 mm

Use only authorized parts. Any damage or malfunction caused by the use of unauthorized parts is not covered by Warranty or Product Liability. Any unauthorized use or copying of the contents or any part thereof is prohibited. This applies in particular to trademarks, model denominations, part numbers, and drawings.

## Instructions for use

This spare parts list contains no safety regulations and is merely intended to assist in the ordering of spare parts.

For information about operating, servicing, or repairing, the relevant Safety and operating instructions must be consulted at all costs.

Please observe the safety instructions listed in the relevant Safety and operating instructions!

Kits and consumables .....	1
----------------------------	---

### **Spare parts list**

Body .....	3
Motor .....	9
Percussion unit .....	15
Fuel tank .....	19
Tightening torque .....	23

### **Working tools**

Working tools 32 x 160 mm (1 1/8 x 6 ") .....	25
Working tools 28 x 152 mm (1 1/4 x 6") .....	28
Working tools 32 x 152 mm (1 1/4 x 6") .....	31

### **Accessories**

Accessories .....	33
Oil .....	35

### **Kits**

Service kit .....	37
Seal kit .....	39
Carburettor repair kit .....	41
Hammer cylinder piston kit .....	43
Cosmetic kit for Cobra TT .....	45
Tool chuck kit, 32 x 160 mm (1 1/4 x 6 1/4 in.) .....	47



## Kits and consumables

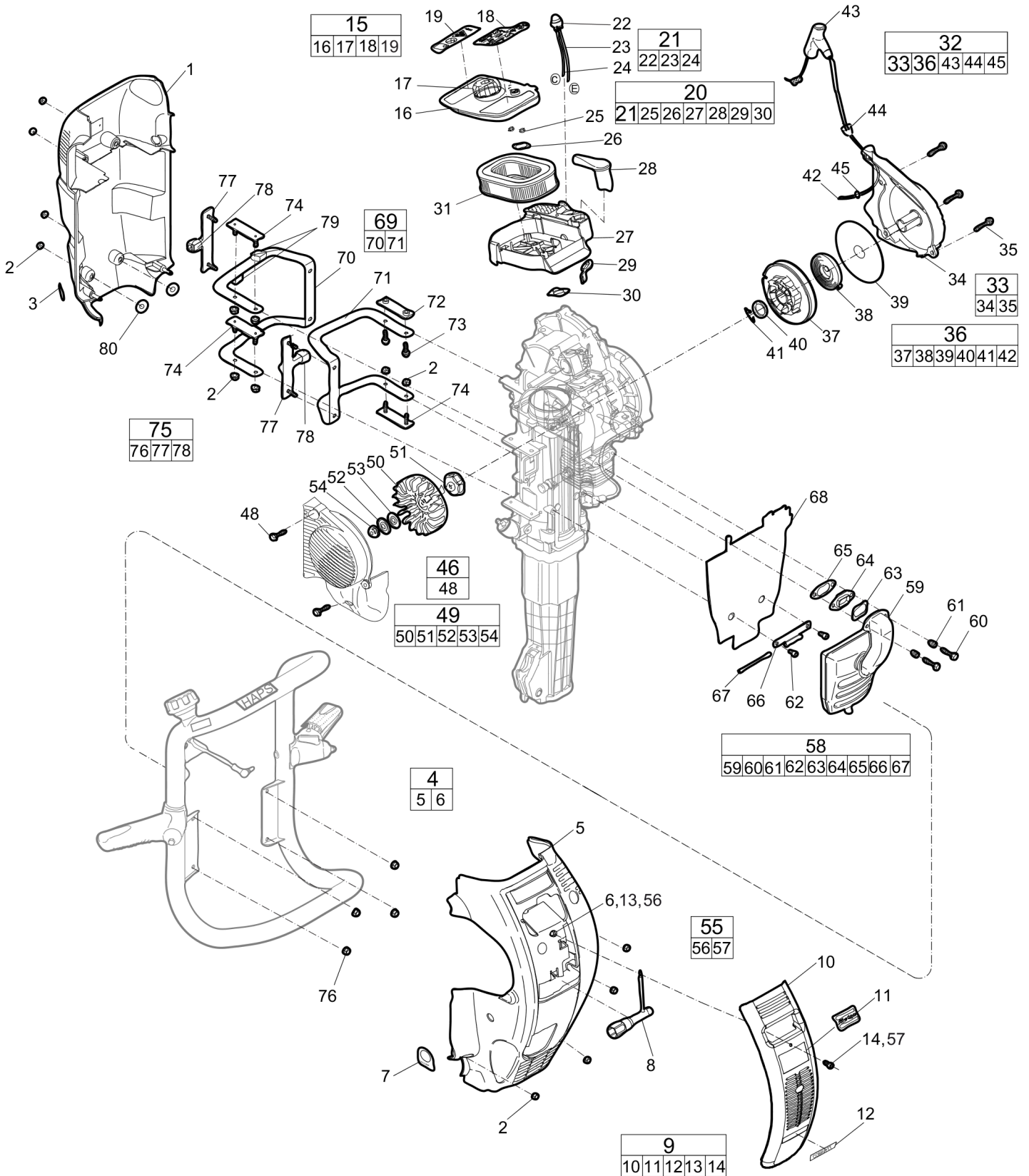
<b>Service offers resume Cobra TT</b>	<b>Item</b>	<b>Description</b>
<b>Lubricants</b>	1	Cobra & compactor IMPACT-OIL
	2	Cobra & compactor IMPACT-OIL
	3	Cobra MIX-OIL
	4	Cobra MIX-OIL
	5	Cobra MIX-OIL
<b>Preventive maintenance</b>	6	Air filter kit
	7	One month service kit
	8	Six months service kit
	9	Three months service kit
	10	Twelve months service kit
<b>Rebuild&amp;Overhaul kits</b>	11	Cosmetic kit Cobra TT
	12	Cosmetic kit Cobra TT/AWD
<b>Wear&amp;Repair Kits</b>	13	Carburettor repair kit
	15	Seal kit
	16	Tool chuck kit 28x152mm / 1 1/8" x 6"
	17	Tool chuck kit 28x160mm / 1 1/8" x 6 1/4"
	18	Tool chuck kit 32x152mm / 1 1/4" x 6"
	19	Tool chuck kit 32x160mm / 1 1/4" x 6 1/4"

Item	Part No.	Name	Qty	L
1	9234001203	Cobra & compactor Impact-OIL 1L	1	
2	9234001405	Cobra Compactor Impact-Oil, 20x1 L (0.22 gal) (0.26 US gal)	1	
3	9234001406	Cobra mix oil, 1L	1	
4	9238274340	Cobra mix oil, 0.1L	1	
5	9238274350	Cobra mix oil, 1L	1	
6	9234001106	Big service kit Cobra	1	
7	9234000687	One month service kit	1	
8	9234000689	Six months service kit	1	
9	9234000688	Three months service kit	1	
10	9234000690	Twelve months service kit	1	
11	9234004800	Cosmetic kit	1	
12	9234004700	Cosmetic kit	1	
13	9234000912	Diaphragm kit	1	
15	9234000691	Complete seal kit	1	
16	9234004600	Tool chuck kit	1	
17	9234004500	Tool chuck kit	1	
18	9234004400	Tool chuck kit	1	
19	9234004100	Tool chuck kit	1	

Refer to Parts Online for the most up to date information. The printed information might be outdated.

Thu Mar 18 14:00:01 UTC 2021

**Spare parts list Body**



Refer to Parts Online for the most up to date information. The printed information might be outdated.

Thu Mar 18 14:00:03 UTC 2021

Item	Part No.	Name	Qty	L
1	9234021273	Back cover, complete	1	
3	9234000354	Label, Oil level	1	
81	-	Back cover	1	
82	8915002524	Label sound level		
83	9234000923	Decal, Warning		
2	9232020750	Flange nut	14	
4	9234000019	Front cover, complete	1	
5	--	Front Cover	1	
6	--	Rubber insert	1	
7	9234000345	Label "Decompression valve"	1	A
8	9234000056	Spark plug key	1	
9	9234000619	Cover, complete	1	
10	--	Service cover	1	
11	9234000995	Label	1	B
12	9234000997	Label	1	C
13	--	Rubber insert	1	
13	--	Rubber insert	1	
14	9234000533	Screw, M5 x 25 mm	1	
15	9234001008	Filter cover, complete	1	
16	--	Filter cover	1	
17	--	Filter cover knob	1	
18	9234000343	Label "Start instruction"	1	D
19	9234000344	Label, Sound/shank/warnings triangel , 32 x 160 mm, 11/4 x 61/4 in.	1	
20	9234000265	Filter housing, complete	1	
21	9234000124	Prime pump, complete	1	
22	---	Prime pump	1	
23	9234000297	Pipe	1	
24	9234000298	Pipe	1	
25	9232020880	Nut, M5	2	
26	9234000063	Plate	1	
27	--	Filter housing	1	
28	9234000026	Choke handle	1	
29	9234001030	Choke arm	1	
30	9234000137	Gasket	1	
31	9234000136	Air filter	1	

Refer to Parts Online for the most up to date information. The printed information might be outdated.

Thu Mar 18 14:00:03 UTC 2021



**This page intentionally left blank**

Item	Part No.	Name	Qty	L
32	9234000114	Starter cover, complete	1	
33	9234000686	Starter cover, complete	1	
34	---	Starter cover	1	
35	9232011530	Screw, M6SF 6 x 20 mm	3	
36	9234000115	Pulley wheel, complete	1	
37	---	Pulley wheel	1	
38	9234000491	Starting spring	1	
39	9234000040	Fiber washer	1	E
40	9234000041	Washer	1	
41	9234000054	Locking spring	1	
42	9234000059	Rope	1	
43	9234000045	Handle	1	
44	9232090530	Rope guide	1	
45	9232050350	Locking ring	1	
46	9234000201	Fan cover, complete	1	
48	9232011530	Screw, M6SF 6 x 20 mm	2	
68	9234000321	Heat shield	1	
49	9234000081	Fan, complete	1	
50	--	Fan	1	
51	9234000084	Hub	1	
52	0384331000	Cup spring	1	
53	9234000085	Washer	1	
56	--	Rubber insert	1	
54	9232020900	Nut	1	
55	9234001029	Rubber insert, complete	1	
56	--	Rubber insert	1	
56	--	Rubber insert	1	
56	--	Rubber insert	1	
56	--	Rubber insert	1	
57	9234000533	Screw, M5 x 25 mm	1	
58	9234000120	Silencer, complete	1	
59	--	Silencer	1	
60	9232012200	Screw, M6SF 6 x 45 mm	2	
61	9234000486	Spring	2	
62	9232012400	Screw, M6S 6 x 12 mm	2	

Refer to Parts Online for the most up to date information. The printed information might be outdated.

Thu Mar 18 14:00:03 UTC 2021

This page intentionally left blank

Item	Part No.	Name	Qty	L
63	9234000413	Gasket	1	
64	9234000402	Muffl insert	1	
65	9234000267	Gasket	1	
66	9234000674	Hinge	1	
67	9234000410	Hinge pin, FRP Ø5 x 100 mm, Ø0.20 x 3.94 in.	1	
69	9234000581	Leaf spring, complete	1	
70	9234000145	Leaf spring, right	1	F
71	9234000144	Leaf spring, left	1	G
72	9234000332	Pressure plate, top left	1	H
73	9234000299	Flange Hexagon head screw M6 x L16 mm	2	
74	9234000336	Pressure plate	3	
75	9234000143	End stop bracket, complete	1	
76	9232020750	Flange nut	4	
77	--	End stop bracket	2	
78	9234000335	Plastic bushing	2	
79	-	Dampening cushion	2	
80	0301232100	Plain washer	2	

Comments for Page: Body

(L)OCAL REMARKS

A | De-compression valve

B | "Atlas Copco"

C | "TT"

D | Start instruction

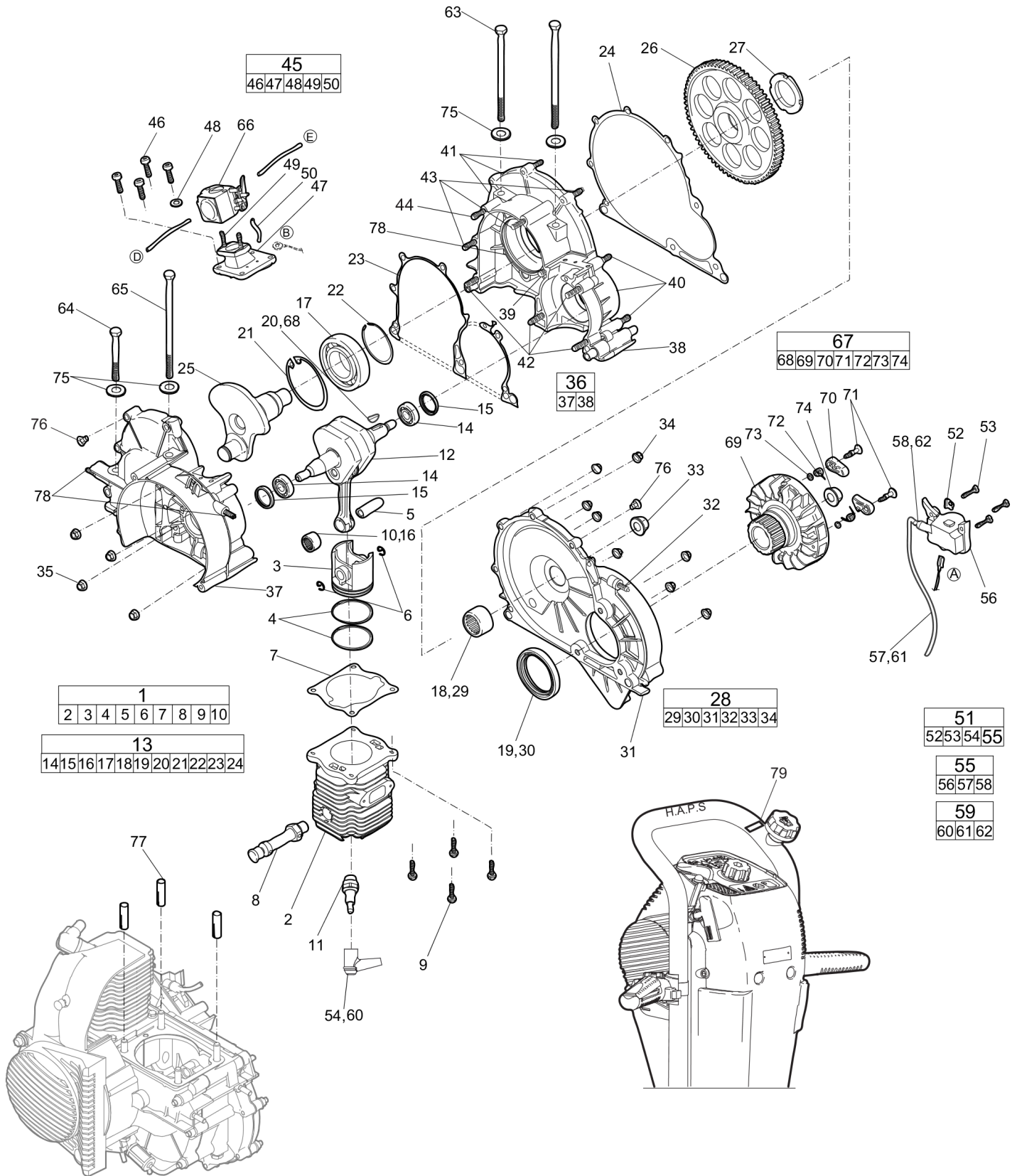
E | Inner

F | Right

G | Left

H | Top left

**Spare parts list Motor**



Refer to Parts Online for the most up to date information. The printed information might be outdated.

Thu Mar 18 14:00:04 UTC 2021

Item	Part No.	Name	Qty	L
1	9234000106	Motor cylinder, complete	1	
2	9234001419	Cylinder	1	
3	9234001420	Piston	1	
4	9234000007	Piston ring	2	
5	9234000008	Piston pin	1	
6	9234000009	Lock ring	2	
7	9234000126	Gasket	1	
8	9234000340	De-compression valve	1	
9	9232011880	Flange screw	4	
10	--	Needle bearing	1	
11	9234000448	Spark plug	1	A
12	9234000038	Motor crankshaft	1	
13	9234000318	Bearing and seal, complete	1	
14	--	Ball bearing	2	
15	9234000606	Seal	2	
16	--	Needle bearing	1	
16	--	Needle bearing	1	
17	--	Ball bearingElectro	1	
18	9234000396	Needle bushing	1	
19	9234000074	Seal	1	
20	9232222840	Woodruff key	1	
21	9234000072	Lock ring	1	
22	9234000075	Lock ring	1	
23	9234000414	Gasket, crankcase	1	B
24	9234000415	Gasket, transmission	1	C
25	9234000537	Transmission axle	1	
26	9234000279	Transmission cog wheel	1	
27	9234000076	Nut	1	D
28	9234000320	Transmission cover, complete	1	
29	9234000396	Needle bushing	1	
30	9234000074	Seal	1	
31	--	Transmission cover	1	
32	9234000423	Stud, M6 x 18 mm, L=28 mm	1	
33	9234000527	Oil level plug, R1/4 in.	1	
34	9232020750	Flange nut	8	

Refer to Parts Online for the most up to date information. The printed information might be outdated.

Thu Mar 18 14:00:04 UTC 2021

This page intentionally left blank

Item	Part No.	Name	Qty	L
35	9232020750	Flange nut	4	
36	9234000282	Crankcase, complete	1	
37	--	Crankcase	1	E
38	--	Crankcase	1	F
38	--	Crankcase	1	F
39	9234000158	Stud, M6 x 70 mm, L = 85 mm	1	
40	9234000071	Stud, M6 x 20 mm, L = 32 mm	3	
41	9234000157	Stud, M6 x 25 mm, L = 40 mm	3	
42	9234000069	Stud, M6 x 50 mm, L = 65 mm	4	
43	9234000067	Stud, M6 x 30 mm, L = 45 mm	4	
44	9234000068	Stud, M6 x 35 mm, L = 50 mm	1	
45	9234001549	Crankcase valve, complete	1	
46	9232011880	Flange screw	4	
47	--	Crankcase valve	1	
48	0301231800	Washer	1	
49	9234000180	Stud	2	
50	9234000324	Pipe, L = 36 mm, L= 1.4 in.	1	
51	9234000281	Electronic unit, complete	1	
52	9234000205	Protective washer	1	
53	9232012000	Screw	3	
54	--	Spark plug cap	1	
55	--	Ball bearingElectro	1	
55	--	Ball bearingElectro	1	
56	---	Electronic unit	1	
57	---	Ignition cable	1	
58	---	Grommet	1	
59	9234000601	Spark plug cable, complete	1	
60	--	Spark plug cap	1	
60	--	Spark plug cap	1	
61	--	Ignition cable	1	
62	--	Grommet	1	
63	0147134703	Hexagon head screw	2	
64	0147133503	Hexagon bolt	1	
65	0147134503	Hex. Head Screw	1	
66	-	Carburettor	1	

Refer to Parts Online for the most up to date information. The printed information might be outdated.

Thu Mar 18 14:00:04 UTC 2021



**This page intentionally left blank**

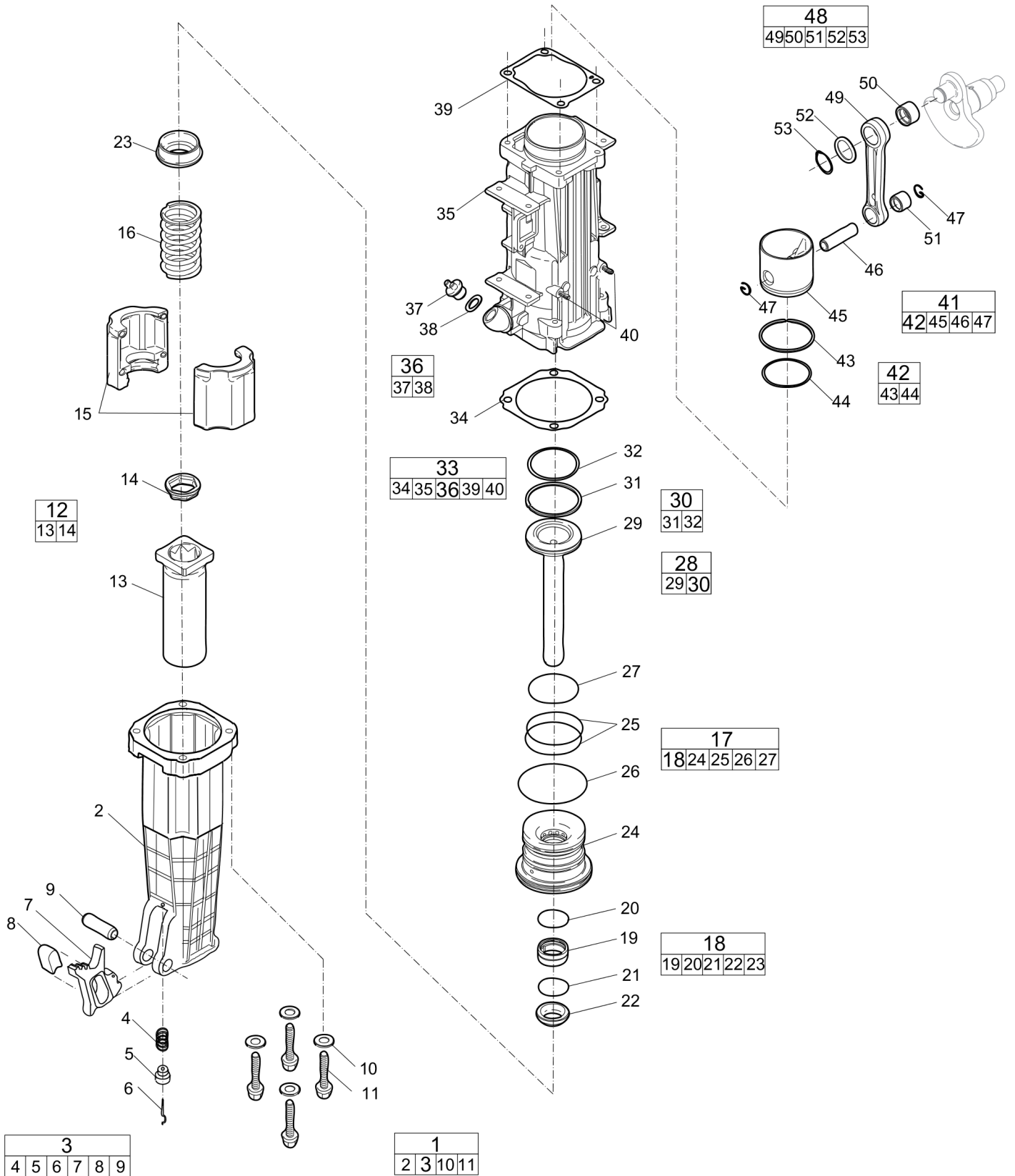
Item	Part No.	Name	Qty	L
67	9234000304	Flywheel, complete	1	
68	9232222840	Woodruff key	1	
69	--	Flywheel	1	
70	9234000032	Carrier	2	
71	9234000154	Screw	2	
72	9234000155	Carrier spring	2	
73	9234000200	Support washer	2	
74	9232020900	Nut	1	
75	0300027474	Plain washer	4	
76	9232090520	Bushing	2	
77	9234000575	Plastic bushing	3	
78	9234000423	Stud, M6 x 18 mm, L=28 mm	3	
79	9234000909	Label "Oil mix 2%"	1	

Comments for Page: Motor

(L)OCAL REMARKS

- A | Champion RCJ8
- B | Crankcase
- C | Transmission cover
- D | KML-6 left
- E | Fan side
- F | Transmission side

**Spare parts list** Percussion unit



Refer to Parts Online for the most up to date information. The printed information might be outdated.

Thu Mar 18 14:00:06 UTC 2021

Item	Part No.	Name	Qty	L
1	9234000555	Breaker housing, complete	1	
2	--	Breaker housing	1	
3	9234000637	Tool latch, complete	1	
4	---	Spring	1	
5	---	Guide	1	
6	---	Guide pin	1	
7	---	Tool latch	1	
8	---	Tool latch insert	1	
9	---	Spring pin	1	
10	0300027474	Plain washer	4	
11	9234001004	Screw 25 Nm	4	B
12	9234000544	Chuck, complete	1	
13	--	Chuck, 32 x 160 mm, 1 1/4 x 6 1/4 in.	1	
14	9234000517	Support ring	1	
15	9234000535	Feed stop	2	
16	9234000179	Recoil spring	1	
17	9234000547	Piston guide, complete	1	
18	9234000554	Scraper ring, complete	1	
19	---	Speed seal	1	
20	---	O-ring	1	
21	---	Lock ring	1	
22	---	Scraper ring	1	
23	9234000536	Support ring	1	
24	--	Piston guide	1	
25	9234000228	O-ring	2	
26	9234000229	O-ring	1	
27	9234000230	O-ring	1	
28	9234000300	Hammer piston, complete	1	
29	--	Hammer piston	1	
30	9234000271	Piston ring, complete	1	
31	---	Piston ring	1	
32	---	O-ring	1	
32	---	O-ring	1	
33	9234000408	Hammer cylinder, complete	1	
34	9234000128	Gasket	1	

Refer to Parts Online for the most up to date information. The printed information might be outdated.

Thu Mar 18 14:00:06 UTC 2021

**This page intentionally left blank**

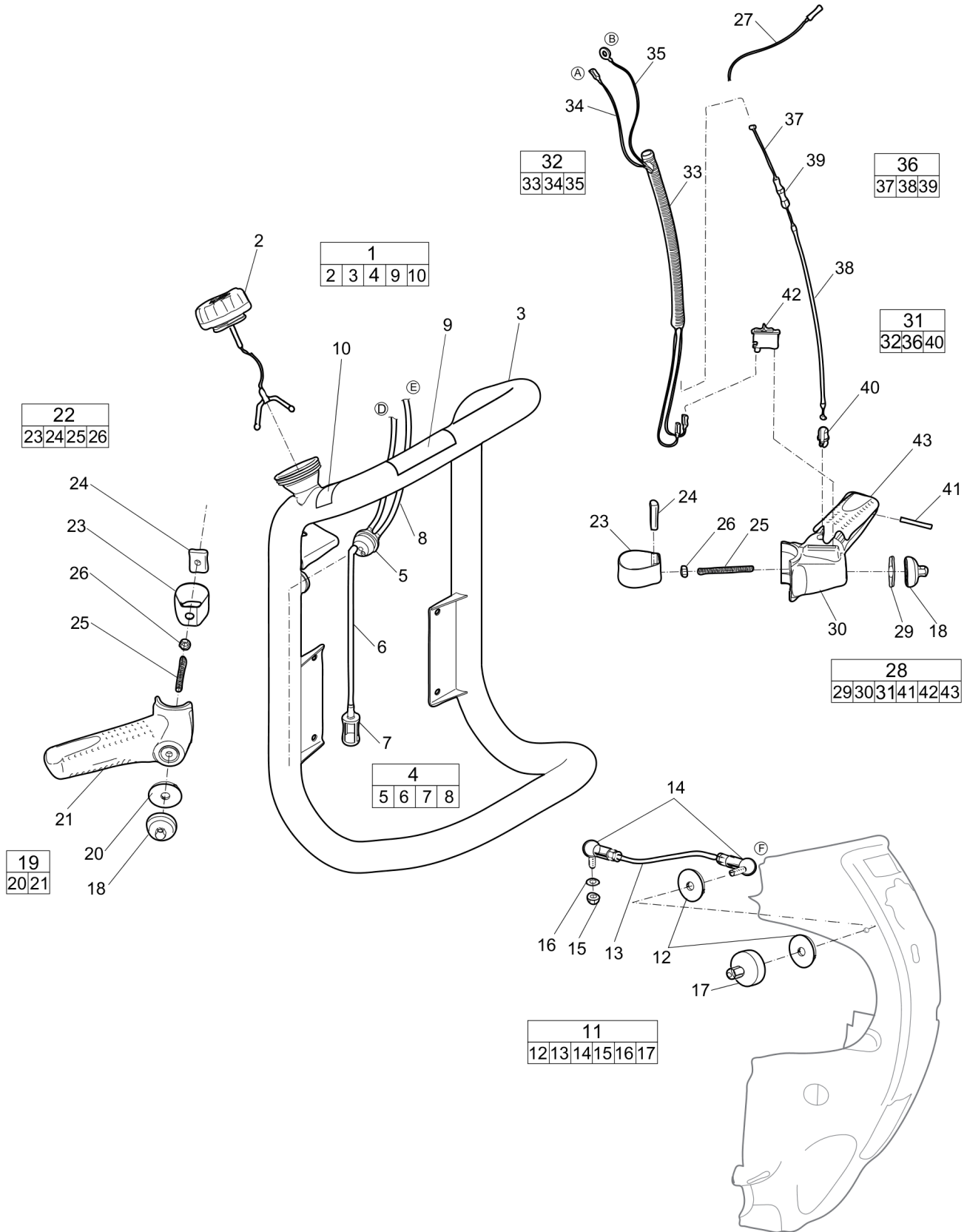
Item	Part No.	Name	Qty	L
35	--	Hammer cylinder	1	
36	9232012351	Oil plug, complete	1	
37	---	Oil plug	1	
38	9232031090	O-ring	1	
39	9234000127	Gasket	1	
40	9234000423	Stud, M6 x 18 mm, L=28 mm	2	
41	9234000301	Drive piston, complete	1	
42	9234000271	Piston ring, complete	1	
43	---	Piston ring	1	
43	---	Piston ring	1	
44	---	O-ring	1	
44	---	O-ring	1	
45	--	Drive piston	1	
46	9234000245	Piston pin	1	
47	9232050560	spring clip	2	
48	9234000618	Connection rod, complete	1	
49	--	Connection rod	1	
50	9234000396	Needle bushing	1	
51	4090036900	Needle bushing	1	
52	9234000412	Shim	1	
53	9234000284	Lock rail	1	

Comments for Page: Percussion unit

(L)OCAL REMARKS

B | 25 Nm

**Spare parts list Fuel tank**



Refer to Parts Online for the most up to date information. The printed information might be outdated.

Thu Mar 18 14:00:08 UTC 2021

Item	Part No.	Name	Qty	L
1	9234001630	Handle frame and fuel tank, complete	1	
2	9234001519	Tank cap	1	
3	--	Handle frame	1	
4	9234001632	Tank grommet, complete	1	
5	---	Tank grommet	1	
6	9234001631	Pipe, Fuel filter (D), see section "Motor" for placement. L = 625 mm	1	
7	9232230600	Filter	1	
8	9234000297	Pipe	1	
9	9234000605	Label	1	A
10	9234000909	Label "Oil mix 2%"	1	B
11	9234000750	Stabilization arm, complete	1	
12	9234000584	Washer	2	
13	--	Stabilization arm	1	
14	--	Toogle joint	2	C
15	9232020750	Flange nut	1	
16	0301232100	Plain washer	1	
17	9234000218	Handel knob	1	
18	9234000218	Handel knob	2	
19	9234000568	Handle, complete	1	D
20	9234000584	Washer	1	
21	--	Handle	1	E
22	9234000278	Handle strap, complete	1	F
23	--	Strap	1	
24	--	Nut	1	
25	--	Stud	1	
26	9234000510	Nut, M6MF	1	
27	9234000469	Plastic tie band	1	
28	9234000569	Handle, complete	1	G
29	9234000584	Washer	1	
30	--	Handle	1	H
30	--	Handle	1	H
31	9234000532	Protection pipe and throttle cable, complete	1	
32	9234000255	Protection pipe, complete	1	
33	----	Protection pipe	1	
34	----	Cable, Induction coil (A), see section "Motor" for placement., L = 690 mm, L = 27.17 in.	1	

Refer to Parts Online for the most up to date information. The printed information might be outdated.

Thu Mar 18 14:00:08 UTC 2021



**This page intentionally left blank**

Item	Part No.	Name	Qty	L
35	----	Cable, Earth connection (B), see section "Motor" for placement., L = 395 mm, L = 15.55 in.	1	
36	9234000212	Throttle cable, complete	1	
37	----	Wire	1	
38	----	Outer cable	1	
39	----	Adjustment screw with nut	1	
40	9234000490	Nipple	1	
41	9234000565	Pin	1	
42	9234000111	Stop switch	1	
43	9234000525	Throttle control	1	

Comments for Page: Fuel tank

(L)OCAL REMARKS

A | "H.A.P.S"

B | "Oil mix 2%"

C | The toggle joint (F) is marked with a yellow dot.

D | Right

E | Right

F | There are two "Handle strap, complete" on the machine.

G | Left

H | Left

**Spare parts list** Tightening torque

NO EXPLODED VIEW  
AVAILABLE  
FOR THIS BOM

Item	Part No.	Name	Qty	L
Not Shown	-	Flywheel - 35 Nm	-	
Not Shown	-	Fan with aluminium hub - 8 Nm	-	
Not Shown	-	M6 screws for silencer and fan cover - 8 Nm	-	
Not Shown	-	M6 nuts + other M6 screws - 10 Nm	-	
Not Shown	-	M8 screws for engine/hammer cylinder - 23 Nm	-	
Not Shown	-	M8 screws for breaker housing - 25 Nm	-	
Not Shown	-	M5 screws for engine cylinder - 10 Nm	-	
Not Shown	-	M5 screw for crankcase valve - 8 Nm	-	
Not Shown	-	M5 nuts for filter housing - 4 Nm	-	
Not Shown	-	M4 screws for electronic unit - 2.9 Nm	-	
Not Shown	-	Special screws (9234 0001 54) for carrier - 2 Nm	-	
Not Shown	-	Oil plug for gear box - 3.5 Nm	-	A
Not Shown	-	De-compression valve - 20 Nm	-	
Not Shown	-	Spark plug - 20 Nm	-	
Not Shown	-	Filter cover knob - >2 Nm	-	
Not Shown	-	M6 studs on crankcase halves - 4-5 Nm	-	B
Not Shown	-	Selfthreading screw for reed, 3x8 mm - 2 Nm	-	

Comments for Page: Tightening torque

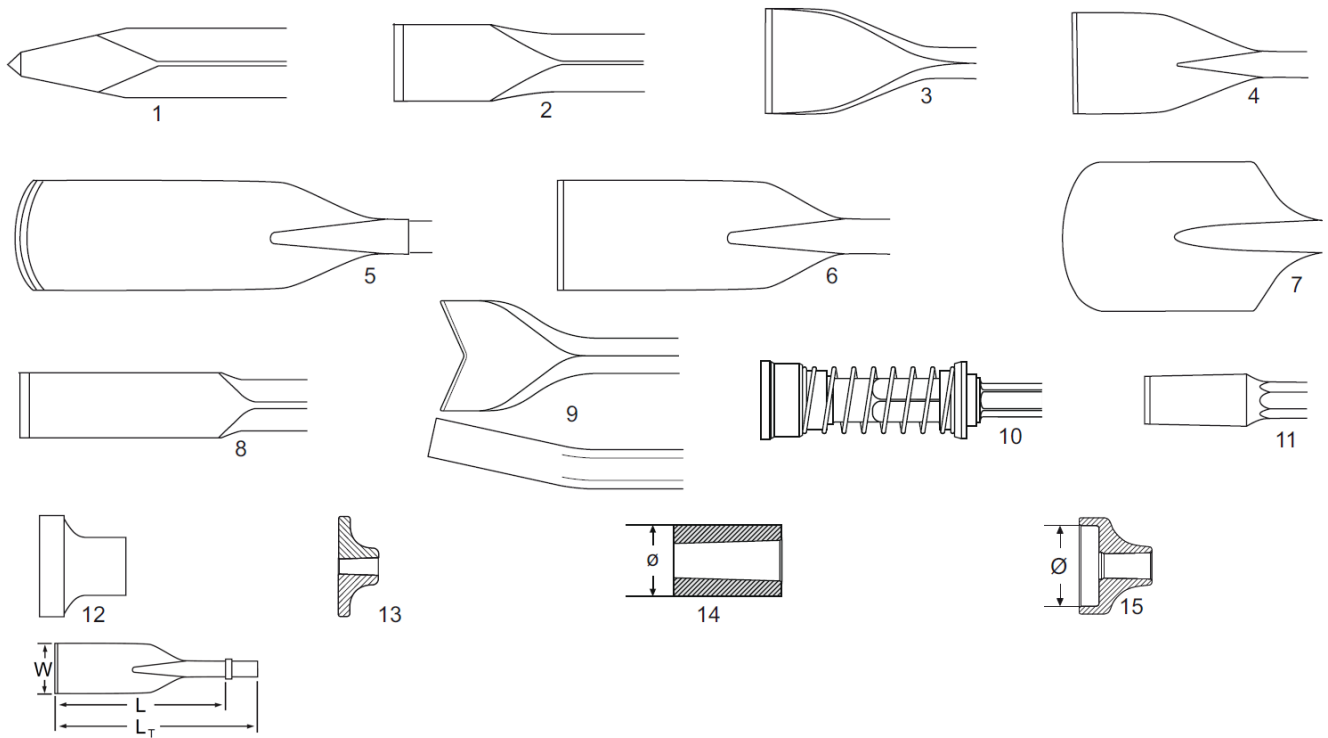
LOCTITE is a registered trademark of Henkel Corporation. 2701 is a trademark of Henkel Corporation.

(L)OCAL REMARKS

A | Only for aluminum version.

B | Use LOCTITE®2701

**Working tools** Working tools 32 x 160 mm (1 1/8 x 6 ")



Item	Part No.	Name	Qty	L
1	3083320500	Moil point	1	A
1	3083320600	Moil point hex 32 x 160 mm	1	B
1	3083320700	Moil point	1	C
2	3083320800	Narrow chisel	1	D
2	3083320900	Narrow chisel hex 32 x 160 mm	1	E
2	3083321000	Narrow chisel	1	F
3	3083321100	Wide chisel	1	G
4	3083321200	Asphalt cutter	1	H
5	3083321300	Digging chisel	1	I
6	3083321400	Digging spade	1	J
7	3083321500	Clay spade	1	K
8	3083321600	Wedge chisel	1	L
9	3083321700	Tie tamper	1	M
9	3083321710	Tie tamper	1	N
10	9245282681	Spiking tool	1	O
11	3083321801	Shaft for tamping pad	1	P
12	3083330100	Tamping pad, round	1	Q
13	3083330200	Tamping pad, square	1	R
13	3083319700	Tamping pad, square	1	S
14	9245282710	Driving pad	1	T
15	3376112079	Driving pad	1	U
15	3376112077	Driving pad	1	V

Comments for Page: Working tools 32 x 160 mm (1 1/8 x 6 ")

(L)OCAL REMARKS

A | W= - L=380 mm, Lt=545 mm, Wt=3,5 kg

B | W= - L=450 mm, Lt=615 mm, Wt=4,0 kg

C | W= - L=1000 mm, Lt=1165 mm, Wt=7,6 kg

D | W= - L=380 mm, Lt=545 mm, Wt=3,5kg

E | W= - L=450 mm, Lt=615 mm, Wt=4,0 kg

F | W= - L=1000 mm, Lt=1165 mm, Wt=7,6 kg

G | W= 75 L=380 mm, Lt=545 mm, Wt=3,7 kg

H | W= 115 L=300 mm, Lt=465 mm, Wt=3,8 kg

I | W= 75 L=380 mm, Lt=545 mm, Wt=4,4 kg

Refer to Parts Online for the most up to date information. The printed information might be outdated.

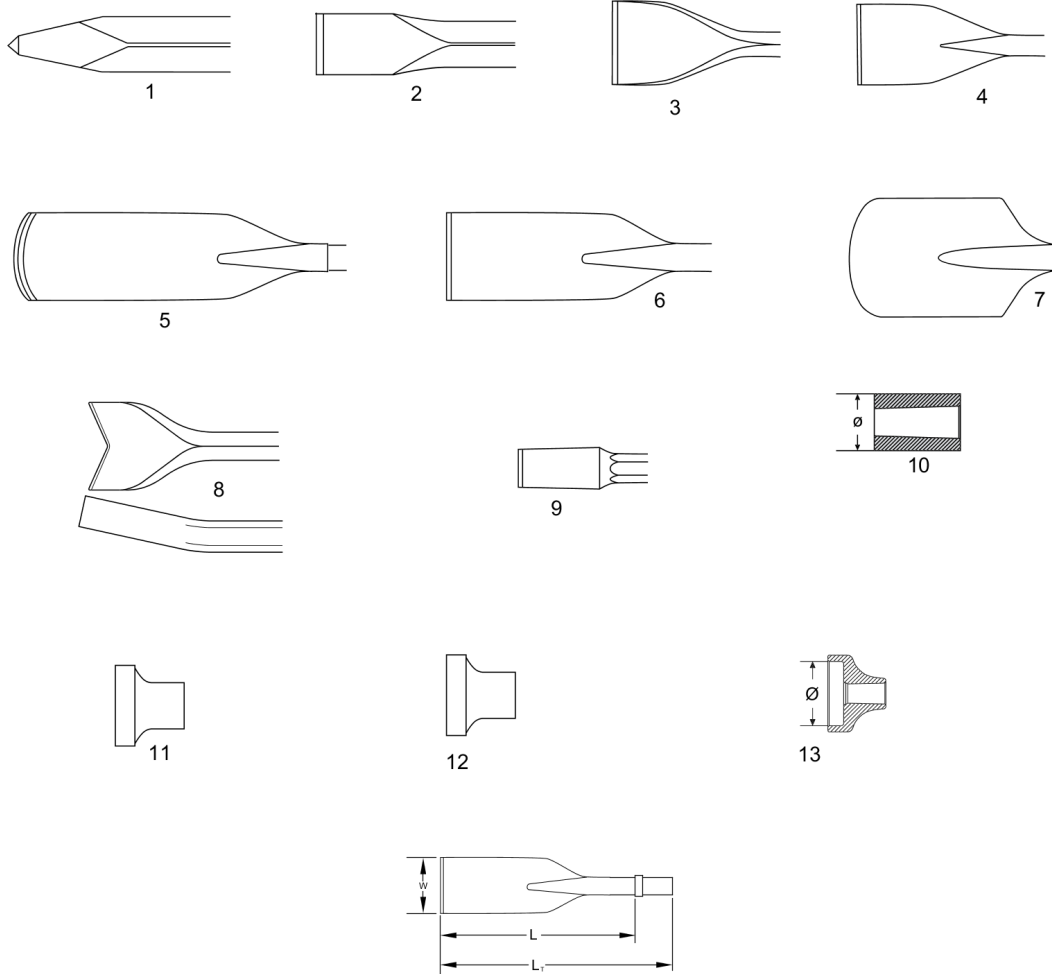
Thu Mar 18 14:00:10 UTC 2021

J | W= 125 L=380 mm, Lt=545 mm, Wt=5,1 kg  
K | W= 140 L=380 mm, Lt=545 mm, Wt=5,4 kg  
L | W= 40 L=400 mm, Lt=565 mm, Wt=4,1 kg  
M | W= 100 L=400 mm, Lt=565 mm, Wt=4,9 kg  
N | W= 100 L=580 mm, Lt=745 mm, Wt=6,2 kg  
O | W= - L= 195 mm, Lt= 360 mm, Wt=4,6 kg  
P | W= - L= 235 mm, Lt= 400 mm, Wt=3,2 kg  
Q | W=180 L= - mm, Lt= - mm, Wt=7,2 kg  
R | W= 150 L= - mm, Lt= - mm, Wt=8,3 kg  
S | W= 200 L= - mm, Lt= - mm, Wt= 8,5 kg  
T | W= 80 L= - mm, Lt= - mm, Wt= 3,5 kg  
U | W= 120 L= - mm, Lt= - mm, Wt= - kg  
V | W= 150 L= - mm, Lt= - mm, Wt= - kg

**This page intentionally left blank**



**Working tools** Working tools 28 x 152 mm (1 1/4 x 6")

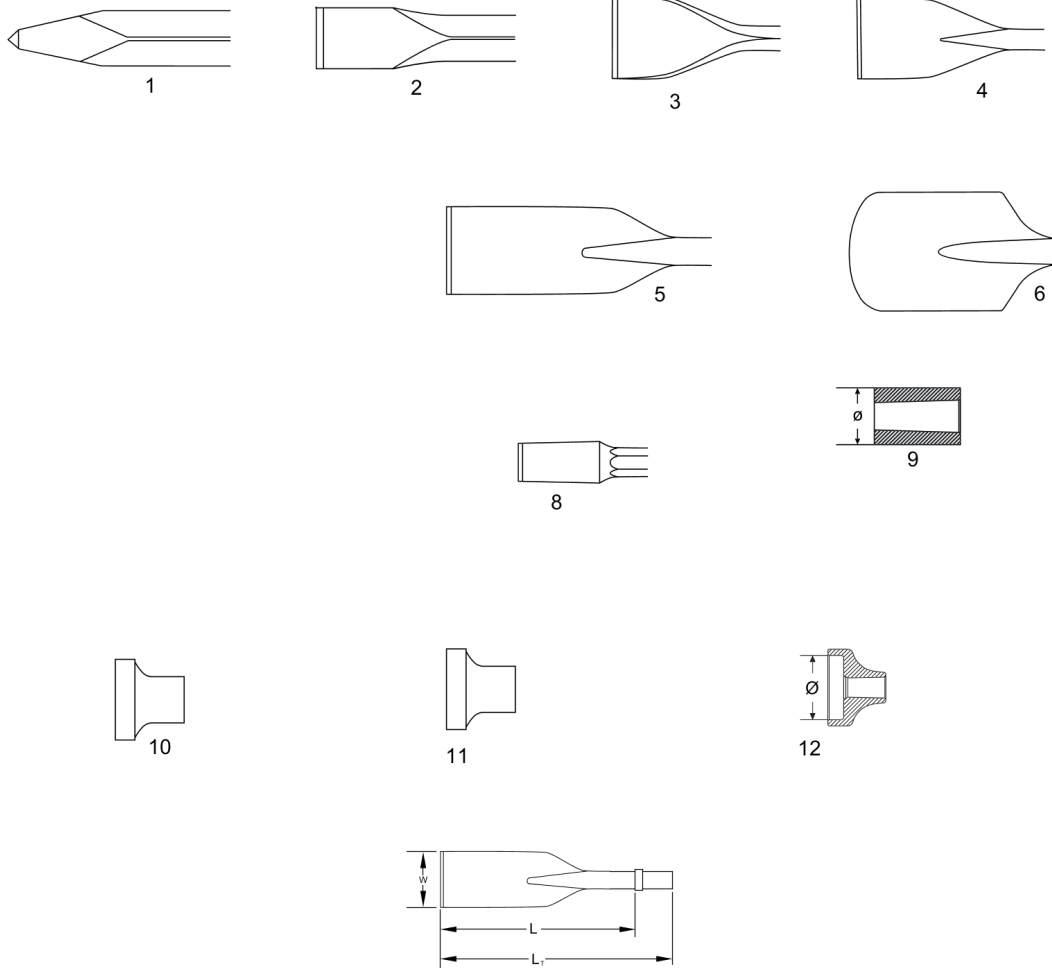


Refer to Parts Online for the most up to date information. The printed information might be outdated.

Thu Mar 18 14:00:11 UTC 2021

Item	Part No.	Name	Qty	L
1	3083326700	Moil point	1	A
1	3083401510	Moil point	1	B
1	3083401520	Moil point	1	C
2	3083326800	Narrow chisel	1	D
2	3083401610	Narrow chisel	1	E
2	3083401620	Narrow chisel	1	F
3	3083328900	Wide chisel	1	G
3	3083401700	Wide chisel	1	H
4	3083401900	Asphalt cutter	1	I
4	3083329000	Asphalt cutter	1	J
5	3083329100	Digging chisel	1	K
6	3083329200	Digging chisel	1	L
7	3083329300	Clay spade	1	M
8	3083402010	Tie tamper	1	N
9	3083326900	Shaft for tamping pad	1	O
10	9245282710	Driving pad	1	P
11	3376112079	Driving pad	1	Q
12	3083330100	Tamping pad, round	1	R
13	3083330200	Tamping pad, square	1	S
13	3083319700	Tamping pad, square	1	T

**Working tools** Working tools 32 x 152 mm (1 1/4 x 6")



Refer to Parts Online for the most up to date information. The printed information might be outdated.

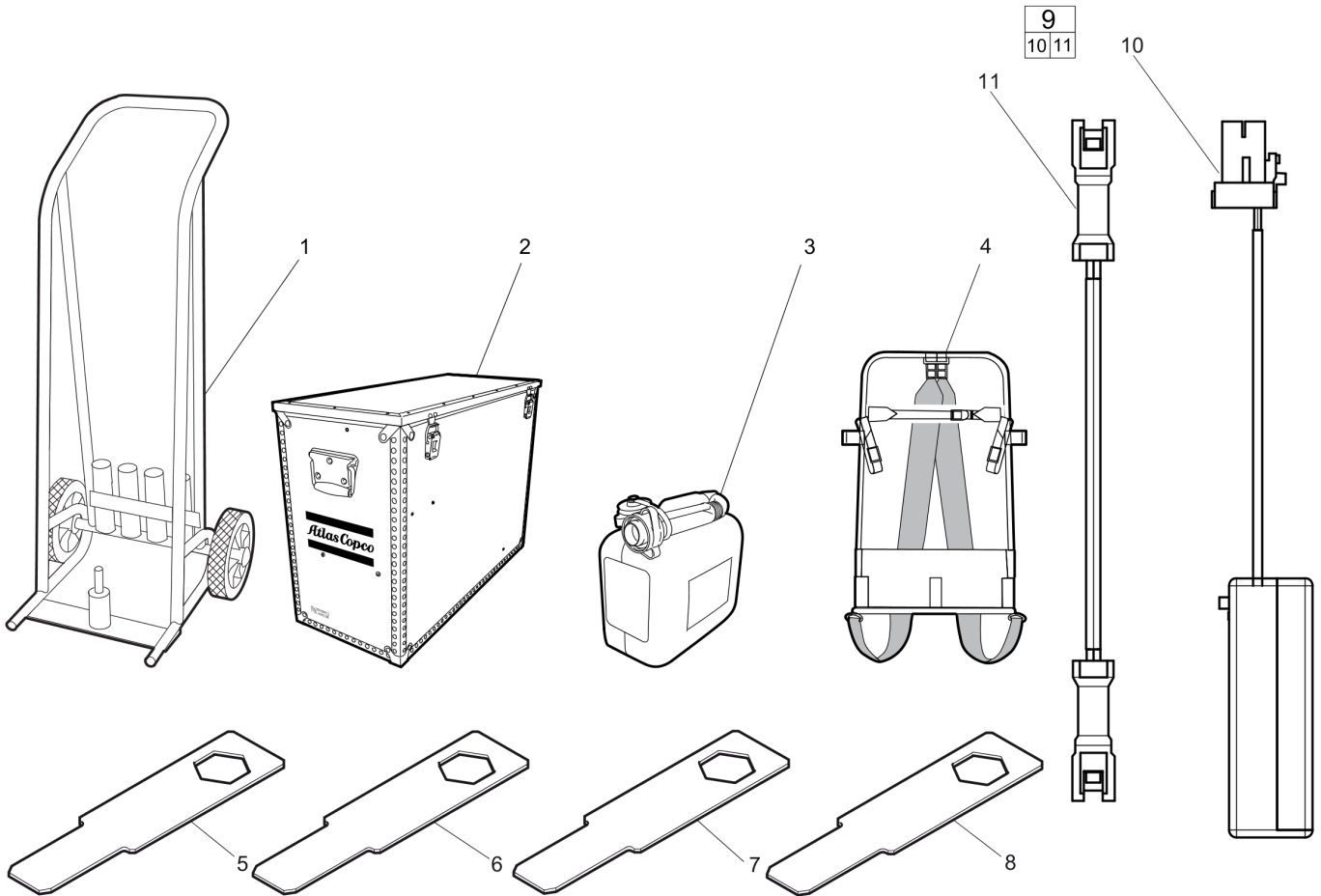
Thu Mar 18 14:00:11 UTC 2021

Item	Part No.	Name	Qty	L
1	3083328500	Moil point	1	A
1	3083400010	Moil point	1	B
1	3083400020	Moil point	1	C
2	3083328600	Narrow chisel	1	D
2	3083400110	Narrow chisel	1	E
3	3083329500	Wide chisel	1	F
4	3083400400	Asphalt cutter	1	G
4	3083329600	Asphalt cutter	1	H
5	3083329800	Digging chisel	1	I
6	3083329900	Clay spade	1	J
8	3083328700	Shaft for tamping pad	1	M
9	9245282710	Driving pad	1	N
10	3376112079	Driving pad	1	O
11	3083330100	Tamping pad, round	1	P
12	3083330200	Tamping pad, square	1	Q
12	3083319700	Tamping pad, square	1	R

Refer to Parts Online for the most up to date information. The printed information might be outdated.

Thu Mar 18 14:00:11 UTC 2021

**Accessories** Accessories



Refer to Parts Online for the most up to date information. The printed information might be outdated.

Thu Mar 18 14:00:12 UTC 2021

Item	Part No.	Name	Qty	L
1	9234000654	Trolley	1	
2	9234000991	Machine box	1	
3	9234000897	Petrol can 5.0 litres, 1.1 gal Not approved in US according to EPA regulations.	1	A
4	9238281410	Carrying harness	1	
5	9238274300	Template gauge, 28 x 152 mm, 11/8 x 6 in.	1	
6	9238274310	Template gauge, 28 x 160 mm, 11/8 x 61/4 in.	1	
7	9238273870	Template gauge, 32 x 152 mm, 11/4 x 6 in.	1	
8	9238273880	Template gauge, 32 x 160 mm, 11/4 x 61/4 in.	1	
9	9234021340	Diagnostic box	1	
10	-	Diagnostic box	1	
11	-	Cable Adapter	1	

Comments for Page: Accessories

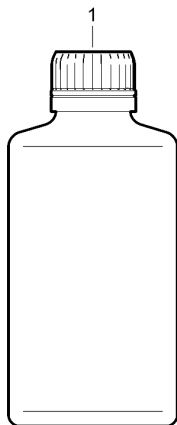
(L)OCAL REMARKS

A | 5.0 litres

1.1 gal

Not approved in the U.S according to EPA regulations.

**Accessories** Oil



Item	Part No.	Name	Qty	L
1	9238274350	Cobra mix oil, 1L	1	A
2	9234001406	Cobra mix oil, 1L	12	B
3	9234001203	Cobra & compactor Impact-OIL 1L	1	C
4	9234001405	Cobra Compactor Impact-Oil, 20x1 L (0.22 gal) (0.26 US gal)	20	D

Comments for Page: Oil

(L)OCAL REMARKS

A | 1l (fully synthetic and biodegradeble)

B | 1l (fully synthetic and biodegradeble)

C | 1l (for impact and transmission unit)

D | 1l (for impact and transmission unit)



**Kits** Service kit

NO EXPLODED VIEW  
AVAILABLE  
FOR THIS BOM

Item	Part No.	Name	Qty	L
1	9234000687	One month service kit	1	
2	9234000448	Spark plug	1	
3	9234000136	Air filter	1	
4	9234000688	Three months service kit	1	
5	9234000687	One month service kit	1	
6	9234000554	Scraper ring, complete	1	
7	9234000128	Gasket	1	
8	9234000689	Six months service kit	1	
9	9234000688	Three months service kit	1	
10	9234000228	O-ring	2	
11	9234000229	O-ring	1	
12	9234000230	O-ring	1	
13	9232230600	Filter	1	
14	9234000271	Piston ring, complete	2	
15	9234000127	Gasket	1	
16	9234000137	Gasket	1	
17	9234000335	Plastic bushing	2	
18	9234000575	Plastic bushing	3	
19	9234000413	Gasket	1	
20	9234000267	Gasket	1	
21	9234000690	Twelve months service kit	1	
22	9234000689	Six months service kit	1	
23	9234000318	Bearing and seal, complete	1	
24	9234000007	Piston ring	2	
25	9234000126	Gasket	1	
26	9234001106	Big service kit Cobra	1	
27	9234000136	Air filter	10	
27	923400136	Air filter	10	

Refer to Parts Online for the most up to date information. The printed information might be outdated.

Thu Mar 18 14:00:13 UTC 2021

**Kits** Seal kit

NO EXPLODED VIEW  
AVAILABLE  
FOR THIS BOM

Item	Part No.	Name	Qty	L
1	9234000691	Complete seal kit	1	A
2	9234000137	Gasket	1	
3	9234000413	Gasket	1	
4	9234000267	Gasket	1	
5	9234000126	Gasket	1	A
6	9234000606	Seal	2	
7	9234000074	Seal	1	
8	9234000414	Gasket, crankcase	1	
9	9234000415	Gasket, transmission	1	
10	9234000517	Support ring	1	
11	9234000524	Support ring	1	
12	9234003098	Seal, 25 mm ( 1 ".)	1	
13	9234000554	Scraper ring, complete	1	
14	-	Speed seal		
15	-	O-ring		
16	-	Lock ring		
17	-	Scraper ring		
18	-	Support ring		
19	9234000228	O-ring	2	
20	9234000229	O-ring	1	
21	9234000230	O-ring	1	
22	9234000271	Piston ring, complete	2	B
23	-	Piston ring		
24	-	O-ring		
25	9234000128	Gasket	1	
26	9232031090	O-ring	1	
27	9234000127	Gasket	1	

Refer to Parts Online for the most up to date information. The printed information might be outdated.

Thu Mar 18 14:00:14 UTC 2021

**Kits** Carburettor repair kit

NO EXPLODED VIEW  
AVAILABLE  
FOR THIS BOM

Item	Part No.	Name	Qty	L
1	9234000912	Diaphragm kit	1	
2	-	Plain washer	1	
3	-	Plain washer	1	
4	-	Diaphragm	1	
5	-	Diaphragm	1	

---

Refer to Parts Online for the most up to date information. The printed information might be outdated.

Thu Mar 18 14:00:14 UTC 2021

**Kits** Hammer cylinder piston kit

NO EXPLODED VIEW  
AVAILABLE  
FOR THIS BOM

Item	Part No.	Name	Qty	L
1	9234004300	Hammer piston kit	1	
-	9234000300	Hammer piston, complete	1	
-	9234000618	Connection rod, complete	1	
-	9234000301	Drive piston, complete	1	

---

Refer to Parts Online for the most up to date information. The printed information might be outdated.

Thu Mar 18 14:00:14 UTC 2021



**Kits** Cosmetic kit for Cobra TT

NO EXPLODED VIEW  
AVAILABLE  
FOR THIS BOM

Item	Part No.	Name	Qty	L
1	9234004800	Cosmetic kit	1	
-	9234000019	Front cover, complete	1	
-	9234000020	Back cover, complete	1	
-	9234000201	Fan cover, complete	1	
-	9234000686	Starter cover, complete	1	
-	9234000954	Filter cover, complete	1	
-	9234000619	Cover, complete	1	

Refer to Parts Online for the most up to date information. The printed information might be outdated.

Thu Mar 18 14:00:15 UTC 2021

**Kits** Tool chuck kit, 32 x 160 mm (1 1/4 x 6 1/4 in.)

NO EXPLODED VIEW  
AVAILABLE  
FOR THIS BOM

Item	Part No.	Name	Qty	L
1	9234004100	Tool chuck kit	1	
-	9234000179	Recoil spring	1	
-	9234000535	Feed stop	2	
Not Shown	-	Tool chuck, complete	1	

---

Refer to Parts Online for the most up to date information. The printed information might be outdated.

Thu Mar 18 14:00:15 UTC 2021

Any unauthorized use or copying of the contents or any part thereof is prohibited.  
This applies in particular to trademarks, model denominations, part numbers, and drawings.

